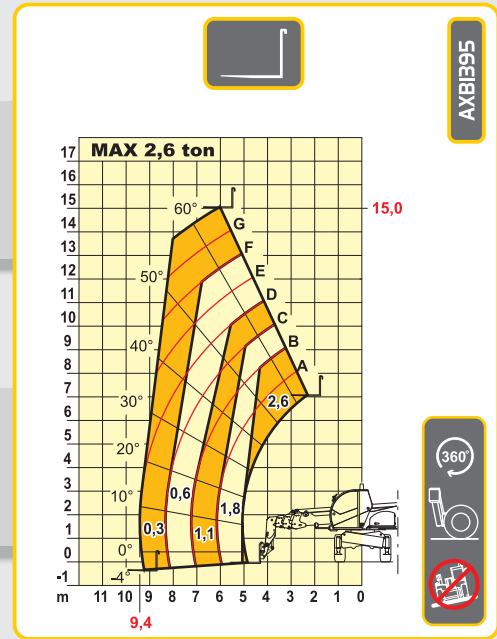
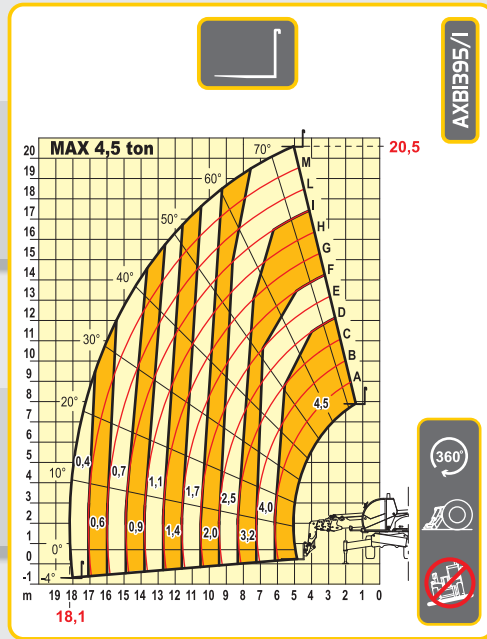
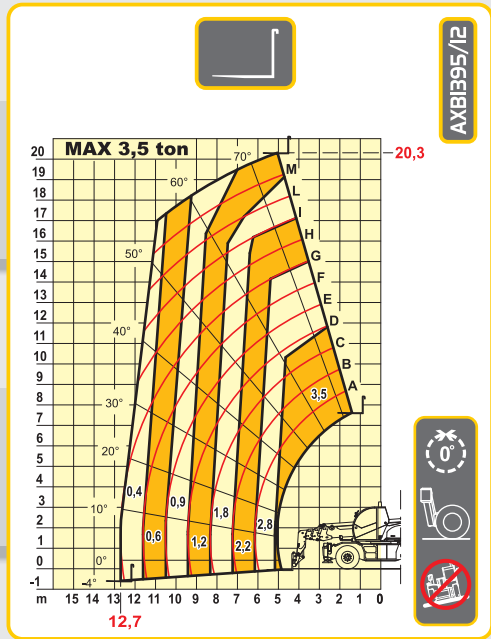


macchine edili ed agricole
d DIECI

Pegasus 45.21



Pegasus 45.21



PERFORMANCES

Maximum capacity:..... 4.500 kg
 Capacity at maximum height on stabilizers:..... 2.500 kg
 Capacity at maximum height on tyres:..... 1.200 kg
 Capacity at maximum boom extension on stabilizers:..... 400 kg
 Capacity at maximum boom extension on tyres:..... 400 kg
 Maximum lifting height on stabilizers:..... 20,50 m
 Maximum lifting height on tyres:..... 20,30 m
 Maximum horizontal boom extension:..... 18,10 m
 Boom extension at maximum height:..... 5,50 m
 Fork tilting angle:..... 134°
 Tearing force:..... 5.700 daN
 Towing force:..... 9.400 daN
 Maximum allowable slope:..... 40 %
 Total empty weight:..... 17.100 kg
 Max speed:..... 40 km/h



TRANSMISSION

Transmission:..... Hydrostatic with variable delivery pump
 Hydraulic engine:..... with automatic adjustment
 Reversing gear:..... Electro - hydraulic
 Inching pedal for controlled forward movement
 Servocontrolled 2 speed gearbox



HYDRAULIC SYSTEM

Double gear pump with "Energy Saving" system
 Gear pump with capacity at max speed:..... 135 lt/1'
 Max working pressure:..... 230 bar
 Control valve with joystick:..... 5 in 1 proportional
 Simultaneous movements:..... 5
 Proportional control distributor "Load Sensing" with "Flow Sharing"



DIFFERENTIAL AXLES

Steering axles:..... 2, with planetary reduction gears
 Type of steering:..... 4 wheels / transversal / 2 wheels
 Front axle:..... levelling
 Rear axle:..... oscillating
 Service brake:..... oil bath on the 4 wheels with double hydraulic system and servo brake
 Negative parking brake.



ENGINE

PERKINS 1104D-ETA - 106 kW
 Power:..... 106 kW (144 hp) at 2200 rpm
 Type:..... four-stroke engine, diesel, Common-Rail
 Cylinders number and layout:..... 4, vertical in line
 Displacement:..... 4399 cm³ -Turbo compressor aftercooler
 Cooling system:..... liquid
 Specific fuel consumption per hour (2.200 rpm):..... 230g/kWh
 Electronic accelerator.
 Manual accelerator.
 Air pre-heater for cold climates.



REFUELLING (litre)

Hydraulic tank:..... 270
 Fuel tank:..... 180



STANDARD DEVICES

Anti-tipping device with block for hazardous movements.
 Continuous turret rotation over 360°.
 Oscillation block on rear axle.
 Hydraulic socket for possible accessories on boom head.
 ROPS-FOPS approved closed soundproof cab with heating and opening roof.
 Stabilizers with joystick control
 Grammer deluxe seat.
 High efficiency cyclone air filter.
 Self-blocking rear axle (Limited Slip)



OPTIONAL AND ACCESSORIES

A/C; Webasto heater; digital speedometer; water heater;
 pneumatic seat suspension; light on boom head; quick attachment for accessories; radio; anti-theft alarm; glass protection; Transverse levelling device on wheels and others...
 (For further customised accessories, please consult your local dealer)

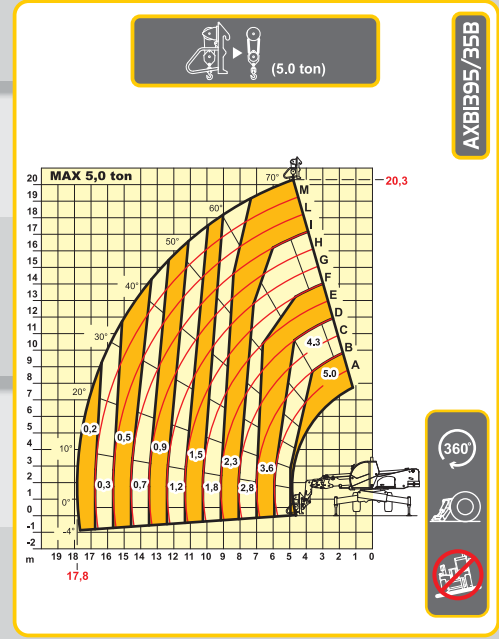
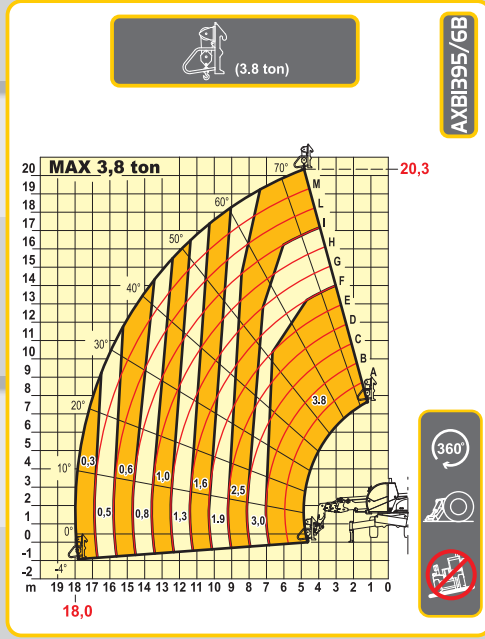
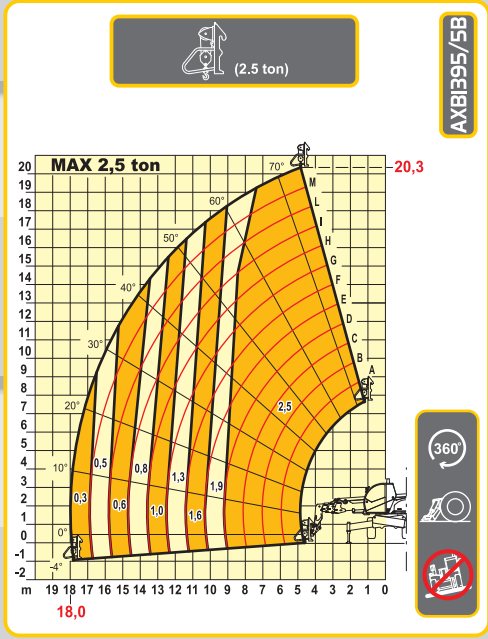
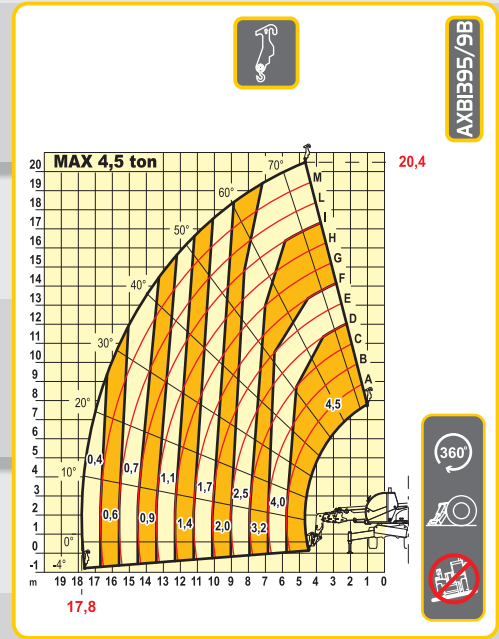
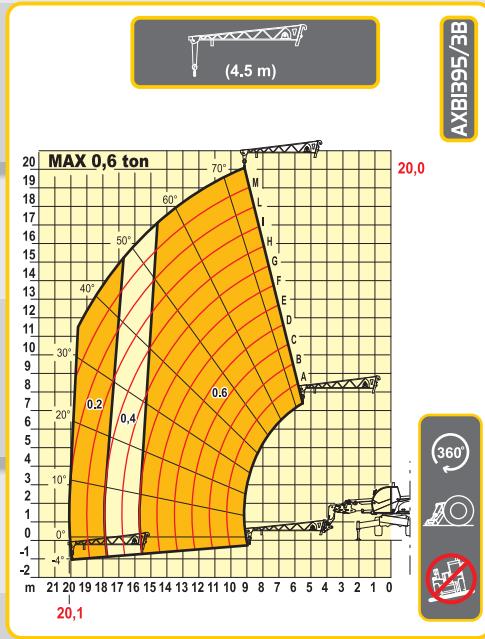
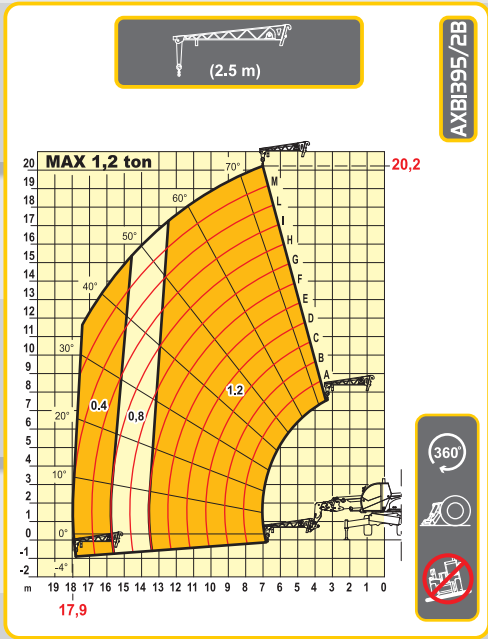
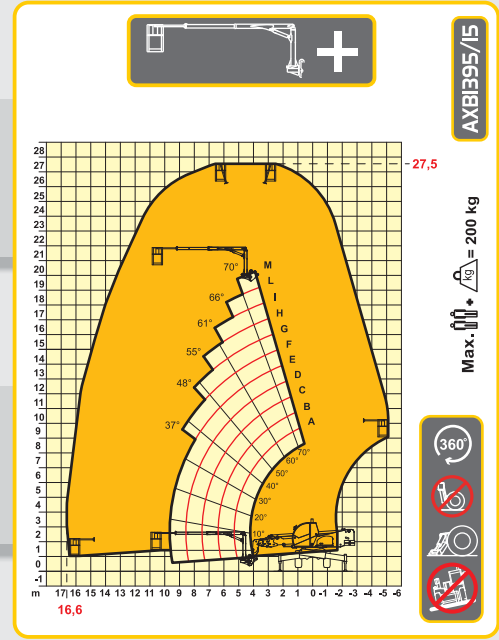
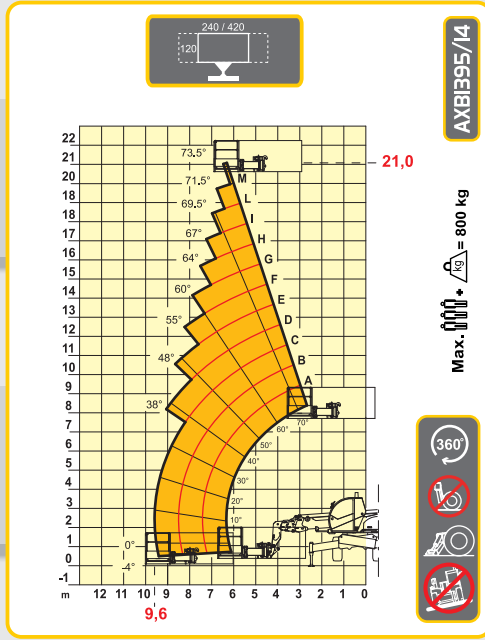
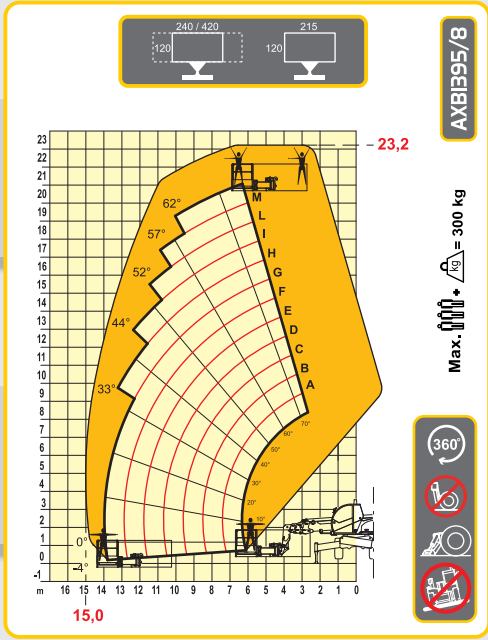


TYRES

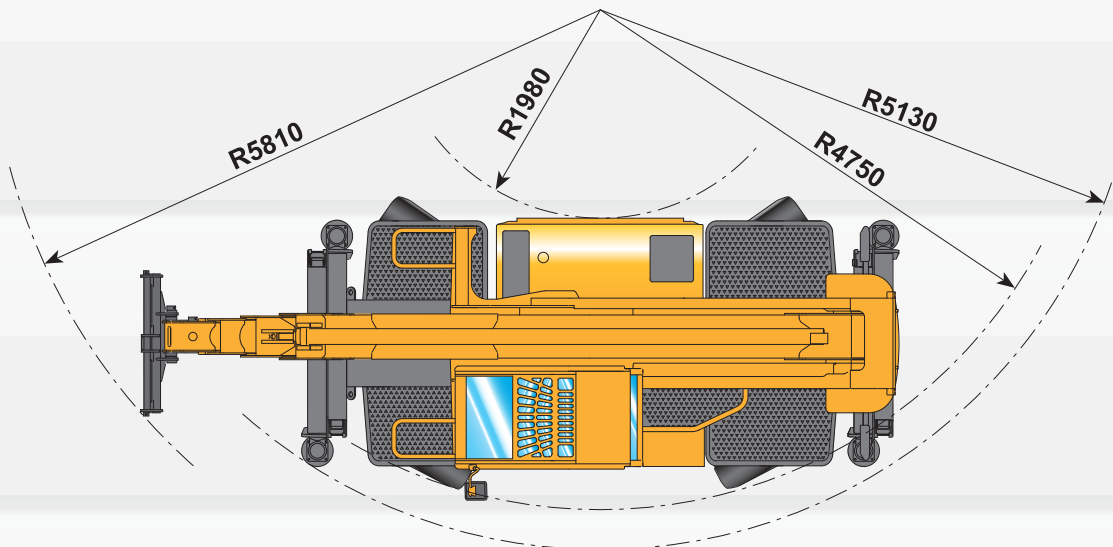
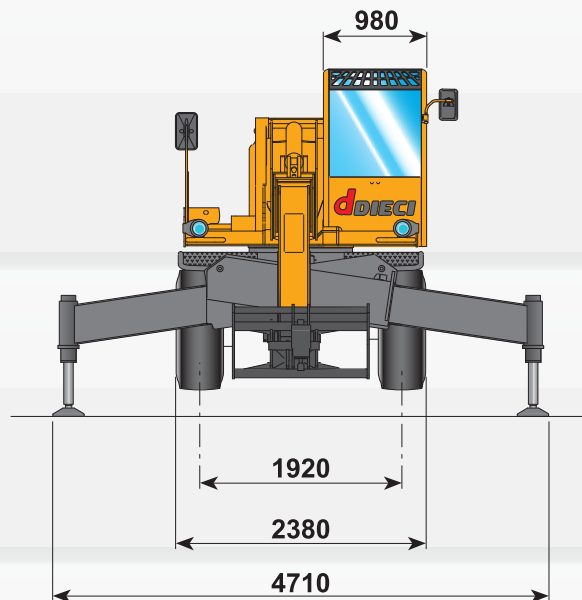
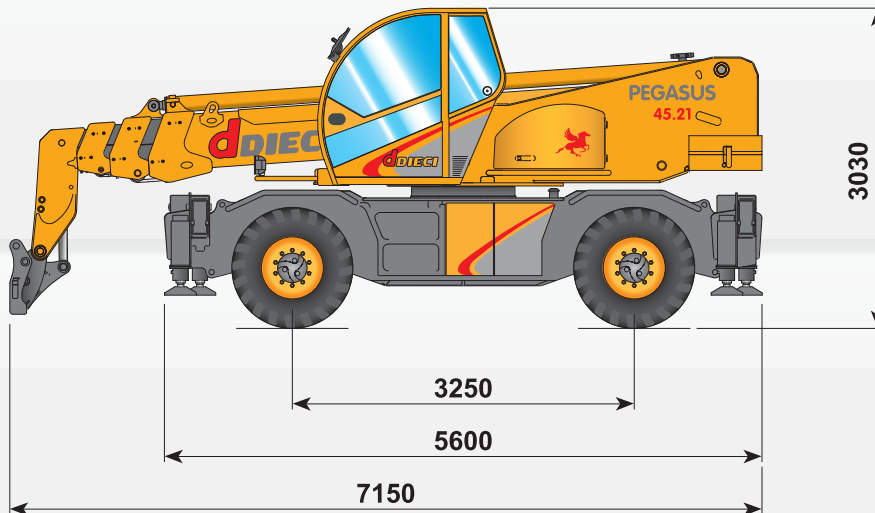
Tyres:..... 18 - R22,5" (Industrial)
 Alternative:..... 18 - R22,5" (Agricultural)

SYMBOLS KEY

Equipment



Pegasus 45.21



I dati contenuti in questo stampato sono forniti a titolo indicativo; i modelli descritti sono suscettibili di modifiche, senza preavviso, da parte del costruttore; disegni e fotografie possono riferirsi a equipaggiamenti opzionali o ad allestimenti destinati ad altri paesi. Per ogni altra informazione, rivolgersi alla sede DIECI all'indirizzo a fondo scheda.
The information contained in the present publication is only intended as an indication; the models described may be modified, without notice, by the manufacturer; drawings and photographs may refer to optional equipment or to particular specifications for other countries. For any further information, please contact DIECI headquarters at the address given below.